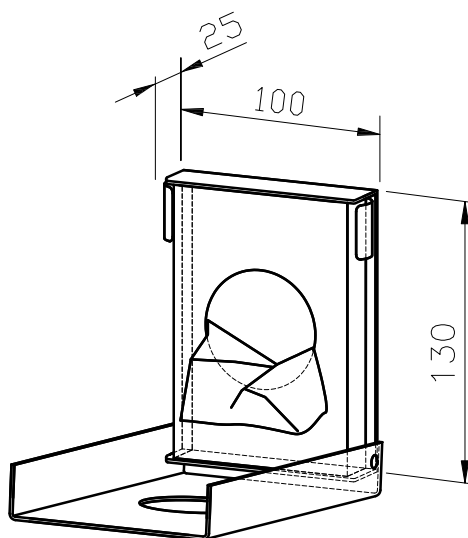


Sanitary bag dispenser in stainless steel



- Full metal housing in robust, easy-to-clean stainless steel AISI 304, satin finished.
- Designed for 1 sanitary bag box.
- Housing swings down for refilling.
- Dispenser with spring-clip locking.
- Easy to clean due to optimum accessibility.
- Simple mounting: line up with tiles and fasten with 2 screws.
- Also available upon request in a polished finish or with other surfaces.

Suggested text for specifications:

Sanitary bag dispenser in stainless steel AISI 304, for surface mounting, satin finished.

Dimensions 100 x 130 x 25 mm; for 1 sanitary bag box; includes mounting components and first fill.

Article No. WP 156

